



Rugged, heavy duty push/pull for high volume slip sheet applications.

Double your productivity with an Extended Width Push/Pull

APPLICATIONS

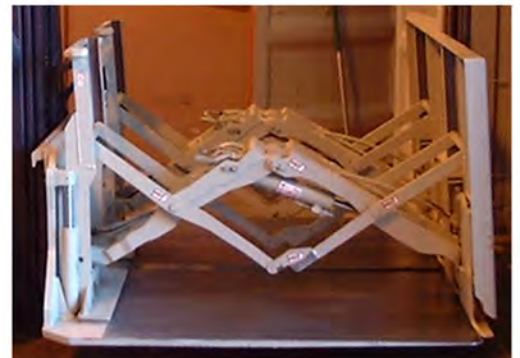
Cascade's Extended Width Push/Pulls are rugged, heavy duty attachments. Ideally suited to high cycle slipsheet applications requiring high productivity with low maintenance. Favoured by manufacturers and logistic operations who handle product on slip sheets into containers, flatbed trucks or onto a pallet for storage. Popular for bagged cement, bagged seed or grain, packaged food, dairy products, fruit and produce.

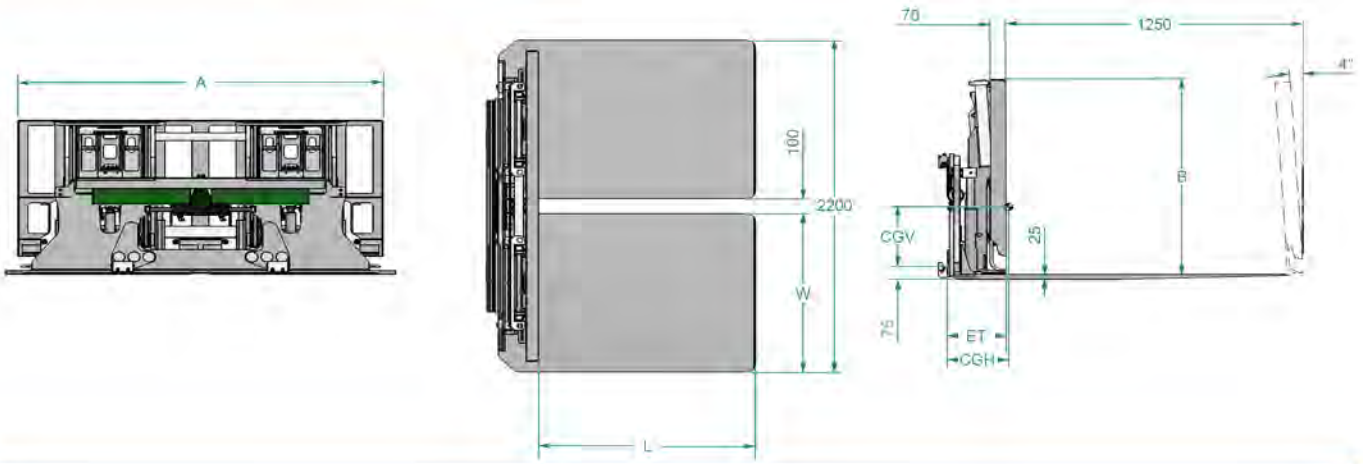
FEATURES

- High visibility pantograph, gripper jaw and faceplate.
- Easy entry gripper jaw and chamfered platen corners protect the slipsheet.
- 4° tilting faceplate.
- High strength, rigid double pantograph system for safe load handling.
- "Cushion" cylinders reduce operating noise.
- Cylinders, valve and hydraulics are protected within the arms.
- Abrasion resistant steel platens.

OPTIONS

- Quick disconnect hydraulic couplers.
- Custom faceplate height and widths.
- Various platen sizes.
- Extended push strokes.
- Attachment mounted solenoid adaption group.
- Hydraulic flow control valve.
- Full selection of basic, load push, sheet-sav™ and non-sideshifting models available.





Capacity (Kg) @ 600mm Load Centre	Platen Size (Each)	Catalogue Order Number	Mounting Class	Face Plate Size	Total Sideshift Available	Min Truck Carriage Width	Weight	Effective Thickness	Horizontal Ctr of Gravity	Vertical Ctr of Gravity
Sideshifting	WxL			AxB			kg	ET	CGH	CGV
2500	1050 x 1220	5DPP26-B030	III QD	2060 x 980	203	1220	1200	190	300	250
Sheet-Sav™ Sideshifting										
2500	1050 x 1220	5DPP26-B030	III QD	2060 x 980	203	1220	1260	254	330	200

- ▶ Attachment capacity is a structural rating only. The type of product to be handled as well as the operating conditions must be considered to determine the working capacity for each application. Actual attachment / truck net working capacity must be obtained from the lift truck manufacturer. Only capacity ratings obtained from the lift truck manufacturer may be entered on the trucks nameplate.
- ▶ Specifications are subject to change without notice.

HYDRAULIC FLOW & PRESSURE

Model	Minimum	Recommended	Maximum	Maximum Pressure
DPP26	30lpm	40lpm	50lpm	160bar

HYDRAULIC FUNCTIONS

Model	Hydraulic Functions	Truck Auxiliary Valves Required
B030	2	2
B032	3	3